

RECEPTACLE

DIMENSIONS SHOWN (METRIC) INCH UNLESS OTHERWISE SPECIFIED TOLERANCES ANGULAR $\pm$ .01		REVISE ONLY ON CAD SYSTEM									
<table border="1"> <tr> <th>INCH</th> <th>METRIC</th> </tr> <tr> <td>3 PLACE <math>\pm</math> .007</td> <td>---</td> </tr> <tr> <td>2 PLACE <math>\pm</math> .010</td> <td><math>\pm</math> 0.18</td> </tr> <tr> <td>1 PLACE ---</td> <td><math>\pm</math> 0.25</td> </tr> </table>		INCH	METRIC	3 PLACE $\pm$ .007	---	2 PLACE $\pm$ .010	$\pm$ 0.18	1 PLACE ---	$\pm$ 0.25	TITLE: .125/(3.17) HOUSING, PLUG & RECEPTACLE, 2 CKT., .330/(8.38) CTR. FROM: MOLEX INCORPORATED U.S.A. L15LEJLL 60532 SHEET NO. 1 OF 3 DATE 7/26/88	
INCH	METRIC										
3 PLACE $\pm$ .007	---										
2 PLACE $\pm$ .010	$\pm$ 0.18										
1 PLACE ---	$\pm$ 0.25										
DRAFT WHERE APPLICABLE MUST REMAIN WITHIN DIMENSIONS		PART NO. SD-42179-2 DRWG. NO.									
DRWG. BY: GEP CHK'D. BY: RW APP'D. BY: RAS SCALE: 2 : 1		FILE NAME: S421792K1 THIS DRAWING CONTAINS INFORMATION THAT IS PROPRIETARY TO MOLEX INC. AND SHOULD NOT BE USED WITHOUT WRITTEN PERMISSION.									

H	OBSOLETE P/N's LCR2002-0270 COMERC1 01/9/18
G1	REVISED UCR 1998-0128 WANG 98-04-09
G	REL. -2P IRD. -2R IRD ECN #U4 0209 RW 2-14-94
F2	ADD -2P IRD. -2R IRD ECN #U4 0109 RW 1-25-94
F1	REL. -2R IBK. -2PB ECN #U3 0685 RW 4-6-93
F	DEL 94V-0 MAT'L ECR U2-1699 AFG 92-11-20 RW
E	REVISE PER ECR U2 0211 C/C 2/10/92 RW
D	REVISED PER ECR #U00189 7-5-90 TRM
C	REVISED LATCH ECR # U9001 KBW 03-31-89 RW
B	REV. PICTORIALY GEP 12-15-88 RW
A	REV. & FINAL REL. ERO 27381 GEP 10-18-88 RW
I	*Y REL. PER ERO 26889 GEP 7-21-88 RW

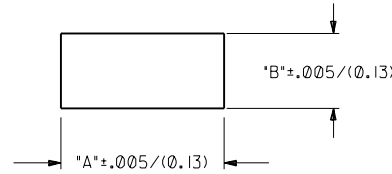
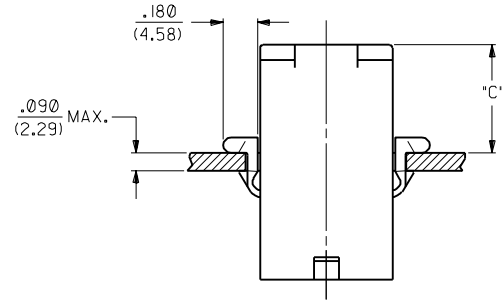
3	H
2	GI
1	H

MFG. SH. REV. LTR.

42179

PLUG		
PART NO.	ENG. NO.	
03-12-2026	42179-2P1	
03-12-2025	42179-2P	
03-12-7021	42179-2PBK	<b>OBSOLETE</b>
03-12-7022	42179-2P IRD	<b>OBSOLETE</b>

RECEPTACLE		
PART NO.	ENG. NO.	
03-12-1026	42179-2R1	
03-12-6021	42179-2R1BK	<b>OBSOLETE</b>
03-12-6022	42179-2R1RD	<b>OBSOLETE</b>



RECOMMENDED HOLE CUTOUT

HOUSING	DIM. "A"	DIM. "B"	DIM. "C"
PLUG	.851/(21.62)	.440/(11.18)	.57/(14.5)

LEGEND:

42179-2\*\*\*\*-\*

CIRCUIT SIZE: \_\_\_\_\_  
 HOUSING TYPE: \_\_\_\_\_  
 P = PLUG  
 R = RECEPTACLE  
 MOUNTING EAR OPTION: \_\_\_\_\_  
 BLANK = WITH PREBENT EARS, PLUG ONLY  
 I = WITHOUT EARS

COLOR: \_\_\_\_\_  
 BLANK = 94V-2: TRANSLUCENT NATURAL COLOR  
 AM=AMBER BK=BLACK BU=BLUE  
 BN=BROWN GY=GRAY GN=GREEN  
 OR=ORANGE RD=RED YW=YELLOW

MATERIAL: \_\_\_\_\_  
 BLANK = NYLON 6/6, U.L. 94V-2

NOTES:

- PART ACCEPTS A MAXIMUM .250/(6.35) INSULATION DIA.
- FOR USE WITH MOLEX .125/(3.17) DIAMETER SERIES TERMINALS EXCEPT THE 1219/1220 SERIES.
- THIS PART IS THE SAME AS 42348-2 EXCEPT FOR POLARIZATION OF FIRST CIRCUIT.

		F2	SEE SHEET I
		F1	SEE SHEET I
		F	SEE SHEET I
		D	SEE SHEET I
H	SEE SHEET I	B	SEE SHT. I
G1	SEE SHEET I	A	SEE SHT. I
G	SEE SHEET I	I	SEE SHT. I
LTR.	REVISIONS	LTR.	REVISIONS

DIMENSIONS SHOWN (METRIC) INCH	
UNLESS OTHERWISE SPECIFIED TOLERANCES ANGULAR	
INCH	METRIC
3 PLACE ± .007	---
2 PLACE ± .010	± 0.18
1 PLACE ---	± 0.25

DRAFT WHERE APPLICABLE MUST REMAIN WITHIN DIMENSIONS

DRWG. BY: CEP CHK'D. BY: RW  
 APP'D. BY: RAS SCALE: 2 : 1

REVISE ONLY ON CAD SYSTEM	
TITLE	DATE
.125/(3.17) HOUSING, PLUG AND RECEPTACLE, 2 CKT. (330/(8.38) CTR.	7/26/88
MOLEX INCORPORATED U.S.A.	SHEET NO. 3
SEE CHART	SD-42179-2

THIS DRAWING CONTAINS INFORMATION THAT IS PROPRIETARY TO MOLEX INC. AND SHOULD NOT BE USED WITHOUT WRITTEN PERMISSION.